



*Thank You for Purchasing the NuBlend Express –
The Ultimate Superconcentrate Cleaning System*

Express Hi-Flow Installation Instructions

I. OVERVIEW

The Express Hi-Flow fill station is a rugged, single product dispenser that quickly fills auto scrubbers and other large reservoirs to reduce fill time. This dilution controlled closed system prevents chemical contact, tampering and waste to help customers manage safety and cost. Controlled dilution guarantees consistent cleaning results and ready-to-use products that deliver the best performance in the industry. A stainless steel cover offers durability for extreme environments.

II. APPLICATIONS

Commercial and institutional facilities such as hospitals, schools, airports, hotels and many others that have a minimum water flow of 10 GPM.

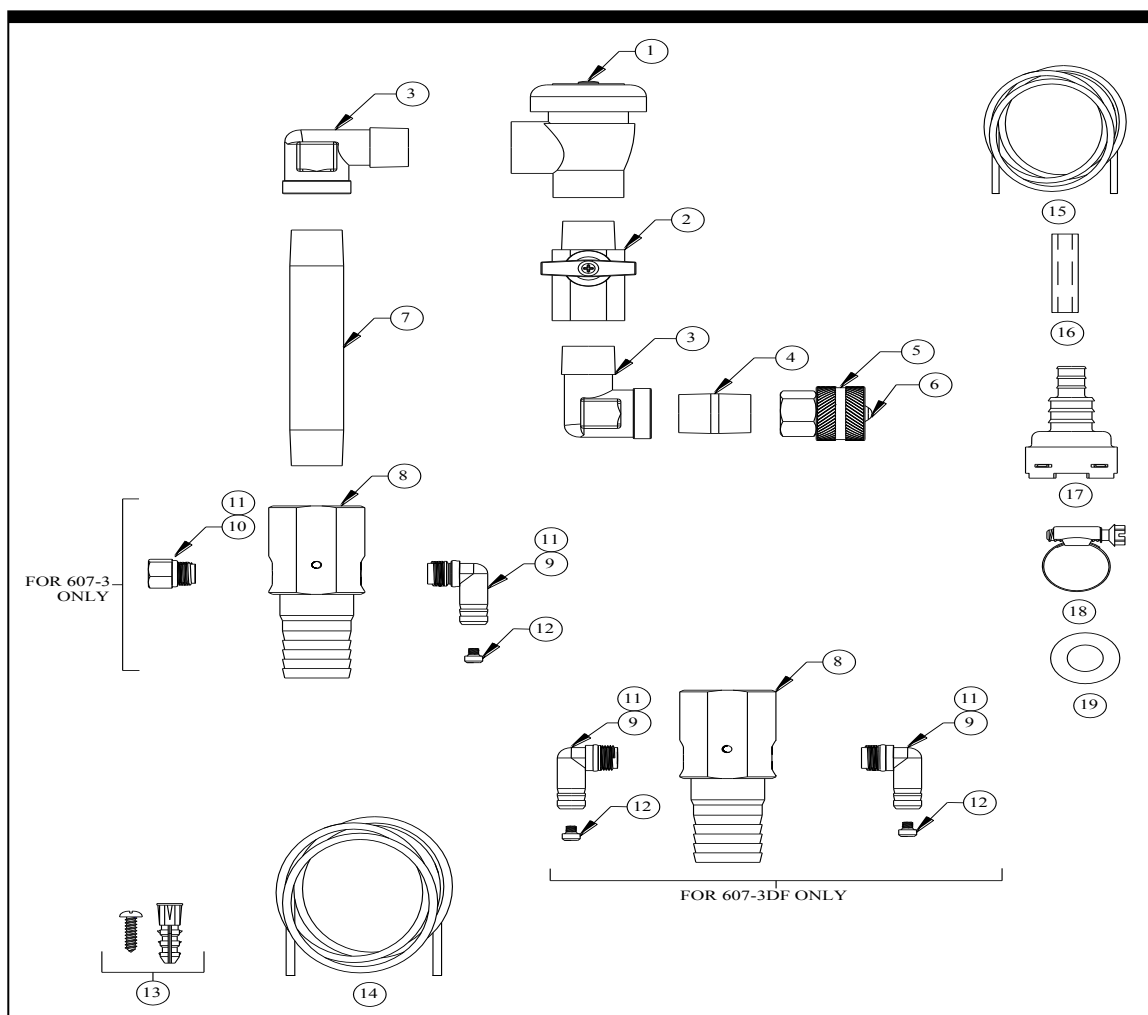
III. WARNINGS



All installations must conform to local plumbing codes and use approved backflow prevention devices. A pressure indicating tee is to be installed with existing faucets according to local plumbing codes in the state of Wisconsin and any other state that requires the use of a pressure indicating tee.

ALWAYS WEAR PROTECTIVE CLOTHING AND EYEWEAR WHEN WORKING WITH CHEMICAL PRODUCT.

IV. EXPRESS DISPENSING SYSTEM DRAWING



NO.	PART NO.	DESCRIPTION
1	60-9	Siphon Breaker (1/2" NPT)
2	95-4-1	Ball Valve (1/2" NPT MXF)
3	90-7	Street Elbow (Plated) 1/2" NPT
4	90-73-1	Pipe Nipple (Plated) 1/2" NPT X 1-1/8" Lg.
5	93-104-2	Hose Swivel Coupling (Plated) 3/4" FGHT X 1/2" FPT
6	100-38	Strainer Washer
7	90-73-9	Pipe Nipple (Plated) 1/2" NPT X 5" Lg.
8	61-8-1	Proportioner Body
9	63-80	Inlet Barb, 3/8" (with O-Ring)
10	65-5-1	Plug
11	63-78	O-Ring, EPDM (O-Ring only)
12	61-9-	Metering Tip (Specify Color)
13	66-54	Mounting Screw & Anchor Kit (4 EA)
14	60-47	Outlet Tubing (1" ID X 10 Ft. Long)
15	100-12L	Vinyl Tubing (3/8" ID X 8' Long)
18	76-2-13	Outlet Tubing Worm Clamp
19	60-49	Priming Ring

V. PARTS INCLUDED IN PACK-OUT

PARTS CHECKLIST			
ITEM	PART NUMBER	DESCRIPTION	QUANTITY
A.	607-3	Fill Station Assembly	1
B.	60-47	Outlet Tubing 10' long	1
C.	76-2-13	Hose Clamp	1
D.	100-16E-4	Tubing & Foot Valve Assembly	1
E.	61-107	Ceramic Weight	1
F.	66-54	#10 Screw & Anchor Kit	1
G.	60-52	Wire Hose Hanger	1
H.	62-62-13	Cap Adapter	1
I.	I-935 (QUA-EXP-001)	Instruction sheet	1

VI. INSTALLATION AND GENERAL USE

CAUTION: ALL WORK DONE SHOULD ADHERE TO APPLICABLE PLUMBING CODES

1. Hold assembly to wall, locate positions of mounting screws. Drill holes in wall about 1" deep. Mount assembly to wall using screws and anchors provided.
2. Install priming ring in outlet tubing (large diameter), a few inches from one end. Slip tubing over threads of injector, with priming ring close to the injector. Secure with tubing clamp and cut to convenient length.
3. Attach water supply hose (not provided) to water inlet and tighten.
4. To install wire hose hanger, slip outlet tubing through hose hanger.

IV. CHEMICAL ADJUSTMENT:

CAUTION: BE CAREFUL WHEN WORKING WITH HAZARDOUS CHEMICALS.

1. Select a metering tip using the Universal Tip Kit as a guide. Screw tip into inlet barb of injector.
2. Cut inlet tube to convenient length, at least 18" long to insure priming but not more than 6' (greater lifts reduce injection capacity).
3. Slide hose barb on cap adapter into inlet tube, then slide inlet tube over hose barb on Express Dispenser.

NUANCE SOLUTIONS UNIVERSAL TIP KIT					
Dispenser	CALIBER		TEMPO	Dispenser	EXPRESS
Flow (minimum inlet)	0.75 GPM		0.75 GPM	Flow (minimum inlet)	7 GPM
Flow (Blended output)	1 and 4 GPM		4 GPM	Flow (Blended output)	10 GPM
Pressure (PSI)	20 - 125		20-125	Pressure (PSI)	20-125
Tip Color	Mix Ratio		Mix Ratio	Tip Color	Mix Ratio
	1 GPM	4 GPM	4 GPM		10 GPM
Tan	102:1	427:1	427:1	Tan	1257:1
Orange	75:1	320:1	320:1	Turquoise	750:1
Turquoise	60:1	256:1	256:1	Pink	416:1
Pink	43:1	170:1	170:1	Light Blue	341:1
Light Blue	33:1	128:1	128:1	Brown	278:1
Brown	28:1	114:1	114:1	Red	240:1
Red	22:1	85:1	85:1	White	200:1
White	18:1	73:1	73:1	Green	192:1
Green	16:1	64:1	64:1	Blue	128:1
Blue	13:1	51:1	51:1	Yellow	89:1
Yellow	9:1	34:1	34:1	Black	64:1
Black	6:1	26:1	26:1	Light Orange	42:1
Purple	5:1	15:1	15:1	Purple	32:1
Gray	4:1	11:1	11:1	Gray	24:1
None	3.6:1	8:1	8:1	None	14:1
<p>Metering tips determine dilution mix ratio for each chemical product. Changes in water inlet pressure and / or flowrate can affect output mix ratios such that they differ from these tables. Refer to product label for dilution recommendation</p>					
Part Number	Dema 100.15K.NUA		Nuance Code ZM111		
					Rev: 3/27/2018

NOTE: Induction rates may vary from product to product. Field test are recommended.

V. TROUBLESHOOTING

Symptom	Probable Cause	Remedy
Eductor fails to draw chemical properly	<ol style="list-style-type: none"> 1. Insufficient water pressure 2. Eductor metering tip clogged 3. Water flow is insufficient 	<ol style="list-style-type: none"> 1. 20 psi is minimum water pressure required 2. Soak in hot water to clean 3. Fill a 5 gallon pail using hose; if it takes longer than 45 seconds to fill, there is insufficient flow to operate the equipment.



When servicing unit, be sure replacement parts have been installed according to drawing.

MERCHANDISE RETURNS:

NO MERCHANDISE MAY BE RETURNED FOR CREDIT WITHOUT NUANCE'S WRITTEN PERMISSION. RETURN MERCHANDISE AUTHORIZATION NUMBER

REQUIRED IN ADVANCE OF RETURN.

PRODUCT WARRANTY:

Nuance Solutions products are warranted against defective material and workmanship under normal use and service for one year from the date of manufacture. This limited warranty does not apply to any products which have a normal life shorter than one year or failure and damage caused by chemicals, corrosion, improper voltage supply, physical abuse, or misapplication. Rubber and synthetic rubber parts such as "o"- rings, diaphragms, PVC tubing, squeeze tubing, caps and gaskets are not covered under warranty. This warranty is extended only to the original buyer of Nuance Solutions products. If products are altered or repaired without prior approval of Nuance Solutions, this warranty will be void. Defective units or parts should be returned to the factory with transportation prepaid. If inspection shows them to be defective, they will be repaired or replaced without charge, F.O.B. factory. Nuance Solutions assumes no liability for damages. Return merchandise authorization number must be granted in advance of returned units for repair (See "Merchandise Returns" above).

NuBlend
A Division of Nuance Solutions
900 East 103rd Street, Suite D
Chicago, IL. 60628
800-621-8553

Fax 888-571-3331
www.nuancesolutions.com